



Hydraulic power systems

Sleipner's hydraulic power systems are designed for ultimate flexibility to support all hydraulic components onboard, including thrusters and stabilizers. A hydraulic system offers immense savings on space and labor cost, considering that essentially all necessary parts are pre-installed, wired, and adjusted.

A hydraulic system makes sound economic sense for many vessels as several functions can run off one central hydraulic source. Once the primary system is in place, including the pump, reservoir, and cooler, adding a function is simply a matter of adding a relatively inexpensive hydraulic valve. This approach is more efficient and cost-effective than running each part with its own electric motor, solenoid, fuse, and battery switch, especially with larger equipment.

Hydraulic valves and motors are better choices in harsh environments such as the forepeak, bilge, and transom areas and areas requiring ignition protection. Typical hydraulic applications are thrusters, stabilizers, winches, capstans, cranes, and so on.

For all the hydraulic components to be compatible and maintain the same high quality, Sleipner offers complete

hydraulic systems with guaranteed performance. Sleipner hydraulic systems use only brand-name hydraulic components, ensuring reliability and easy worldwide access to spare parts and service.

The hydraulic pumps are based on the well-proven and reliable load sense principle, ensuring high efficiency, low noise, and low heat generation.

The system's brain is the PHC-3 with real-time component diagnostics on both the integrated LCD panel and at the helm. Installed directly on the tank, it provides below deck access to diagnostics and local configuration of parameters.

All hydraulic systems are delivered ready-to-use to provide a straightforward installation and the highest degree of quality assurance.

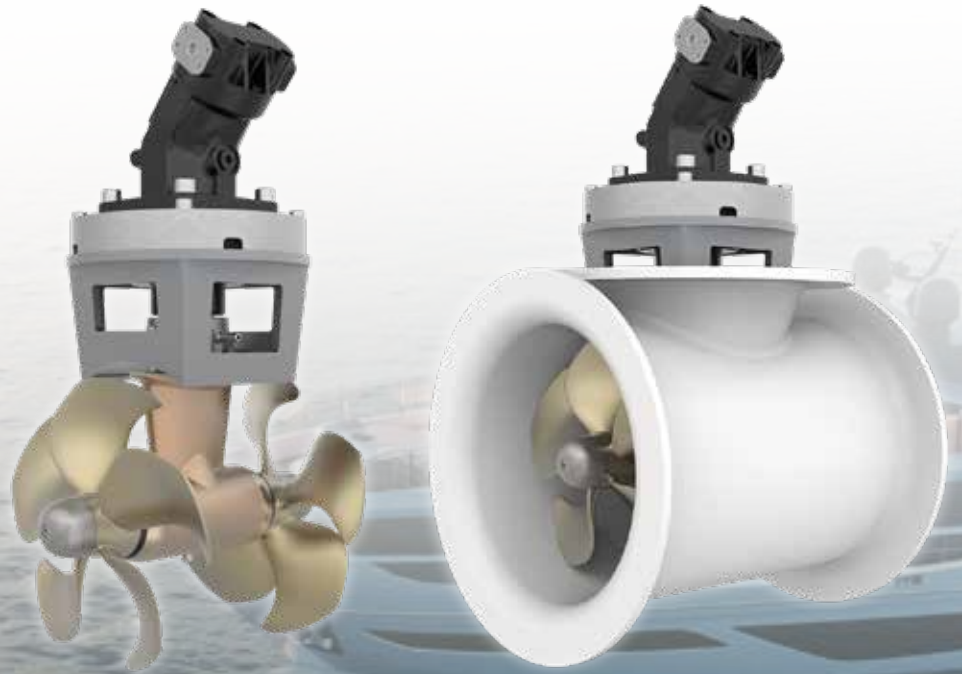
Benefits

- Compact-sized units and easy maintenance
- Delivered pre-fitted with all components adjusted
- Advanced real-time diagnostics
- S-Link™ operating system
- Plug-and-go wiring
- Available as standard or customized by our hydraulic expert engineers
- Bulkhead and floor installation options
- Delivered with complete system-specific documentation
- Load sensing hydraulic pumps for optimal efficiency
- Easy firmware update through S-Link™



SLEIPNER

Ocean born. Tech bred.



Hydraulic tunnel thrusters

Power from 100 kg to 1400 kg and continuous operation make a hydraulic thruster system ideal for yachts, super yachts and professional vessels. It is the natural choice when extensive thruster usage or long run cycles are required.

For all the hydraulic components to be compatible and maintain the same high quality, Sleipner offers complete hydraulic systems with guaranteed performance. Sleipner hydraulic systems use only brand-name hydraulic components, ensuring reliability and easy worldwide access to spare parts and service.

The innovative S-Link™ control system ensures fast and trouble-free installation, and gives you the unique option to combine hydraulic and AC thrusters in a single control environment.

All hydraulic systems are delivered ready-to-use to provide a straightforward installation and the highest degree of quality assurance.



We offer complete hydraulic systems. Scan QR code to learn more

Benefits

- Continuous use
- Controlled power
- Reliability
- S-Link™ operating system
- Custom-made, ready to install with plug-and-go wiring
- The choice of leading boatbuilders
- Full documentation
- DNV type approval for specific models
- Suitable for joystick and DP integration

AMI
SINGAPORE

AMI Marine International Pte Ltd

AMI Marine International Pte Ltd

Blk 196 Pandan Loop #4-15,
Pantech Business Hub,
Singapore 128384

Singapore +65 6775 0081
Vietnam +84 (254) 3513 345
A member of the AMI Group

Connect with us:

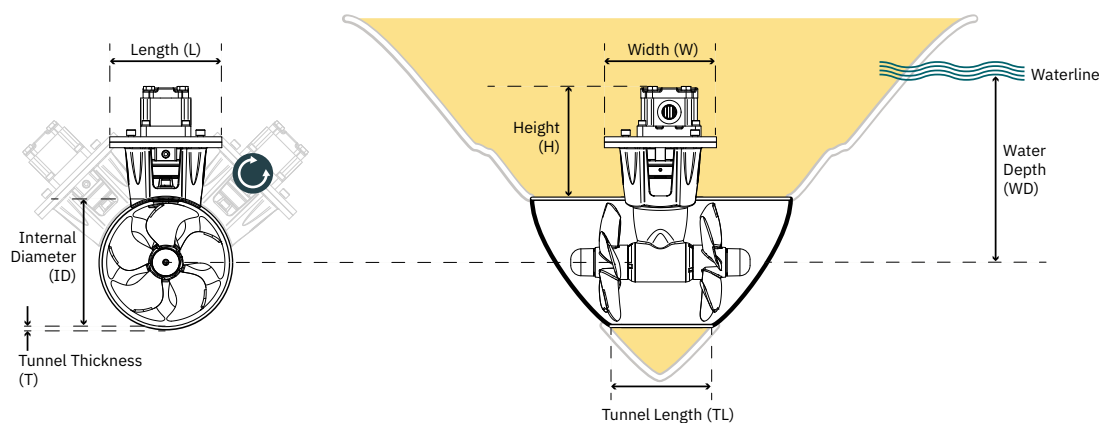
sales@amisales.com.sg
www.amisales.com.sg






Performance & Sizing*	SH 100/185 T	SH 160/215 T	SH 240/250 TC	SH 320/300TC	SH 360/300 TC
Light duty thrust (kg)	100	160	240	320	-
Heavy duty thrust (kg)	80	140	220	270	360
Ideal Vessel Size (m/ft)	9-16/30-34	11-19/35-62	13-23/42-75	13-23/42-75	18-33/59-108
Power Output (kW)	6.9	10.0	14.9	21	28.6
Q-propeller	Yes	Yes	Yes	Yes	Yes
Propulsion system	Twin	Twin	Twin Counter	Twin Counter	Twin Counter
Lubrication	Sealed	Sealed	Sealed	Sealed	Gravity feed
Item Code	SH 100/185T	SH 160/215T	SH 240/250 TC	SH 320/300TC	SH 360/300 TC

For leisure usage



 Sleipner thrusters can be installed at an angle off the vertical centre. Tailored to fit any space available in your vessel.

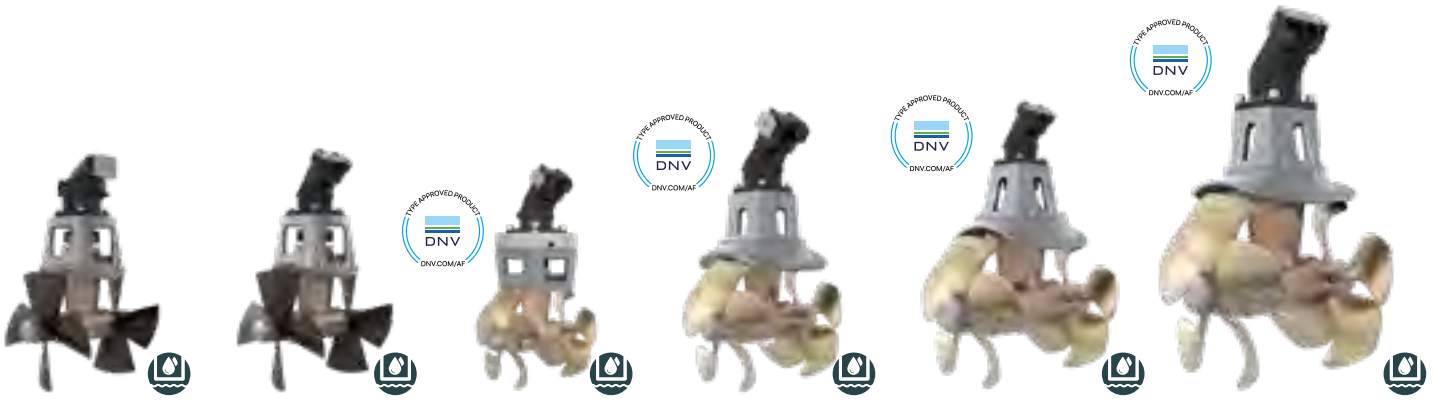
Measurements Bow	SH100/185T	SH 160/215 T	SH 240/250 TC	SH 320/300TC	SH 360/300 TC
(ID) Internal Diameter (mm)	185	215	250	300	300
Weight ¹ (kg)	7.8	11.4	13.5	17.16	26
(H) Height (mm)	215	195	235	245	356
(L) Length	203	203	203	258	258
(W) Width	203	203	203	258	258
(ID) Internal Diameter (mm)	185	215	250	300	300
(WD) Water Depth (mm)	200	215	250	300	450
(TL) Rec. Tunnel Length (mm)	340	560	600	550	550
(TL min.) Minimum Tunnel Length (mm)	170	280	300	370	370
(T min.) Min. Tunnel Wall Thickness	4	6	7	10	10

Measurements Stern	SH100/185T	SH 160/215 T	SH 240/250 TC	SH 320/300TC	SH 360/300 TC
(L) Internal Length	405	172	912	195	310
(+L) Tunnel Length	705	300	340	420	420
(WD) Stern Water Depth	770	215	250	300	300
(HT) Maximum Hull Thickness	120	54	60	60	60
Stern thruster kit	90086i	90135i	90140i	90200i	90350
-Cowls - short model	90075	-	-	-	-
Cowls - long model	90077	90136	90132	90220	-

¹ Weight stated include thruster, props & bellhousing ONLY.

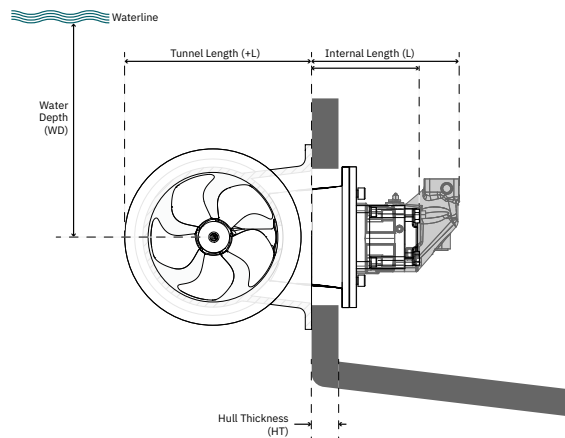
Weight of hydraulic motor comes in addition

* Note - See page 115



SH 420/386 TC	SH 550/386 TC	SH 400/300	SH 700/412	SH 1000/513	SH 1400/610
-	550	-	-	1100	-
420	500	400	700	1000	1400
22-35/75-110	25-40/85-140	18-33/59-108	29-44/95-145	30-45/100-150	40-55/130-175
26.2	39.9	30	43.4	59.8	80.1
No	No	Yes	Yes	Yes	Yes
Twin Counter	Twin Counter	Twin Counter	Twin Counter	Twin Counter	Twin Counter
Gravity feed	Gravity feed	Gravity feed	Gravity feed	Gravity feed/On water change	Gravity feed/On water change
SH 420/386 TC	SH 550/386 TC	SH 400/300	SH 700/412	SH 1000/513	SH 1400/610

For leisure usage	For heavy duty usage
-------------------	----------------------



SH 420/386 T	SH 550/386 T	SH 400/300	SH 700/412	SH 1000/513	SH 1400/610
386	386	300	412	513	610
46	56	31	72-76	168-182	211
369	369	356	450	486	500
268	268	258	268	398	398
268	268	258	268	398	398
386	386	300	412	513	610
580	580	450	620	750	900
750	750	550	800	1000	1000
500	500	370	550	750	750
10	10	10	16	16	18

SH 420/386 T	SH 550/386 T	SH 400/300	SH 700/412	SH 1000/513	SH 1400/610
257	257	305	n. a.	405	470
540	540	422	n. a.	705	820
380	380	300	n. a.	770	915
54	54	60	n. a.	120	145
90550	90550	90350	90700	91000	91400
-	-	n. a.	n. a.	n.a.	n.a.
90560	90560	n. a.	n. a.	n.a.	n.a.